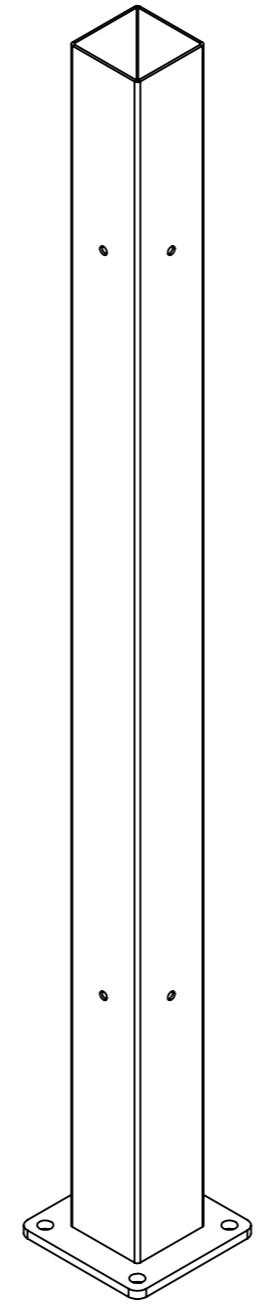
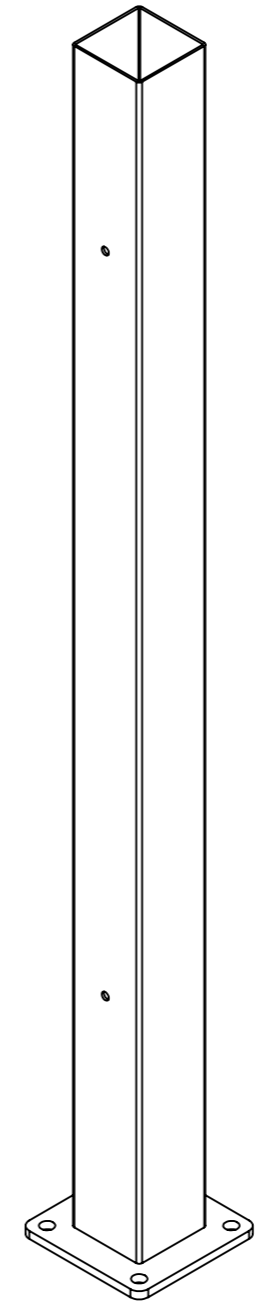


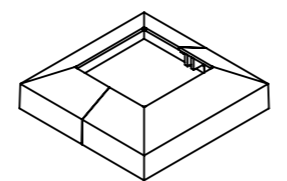
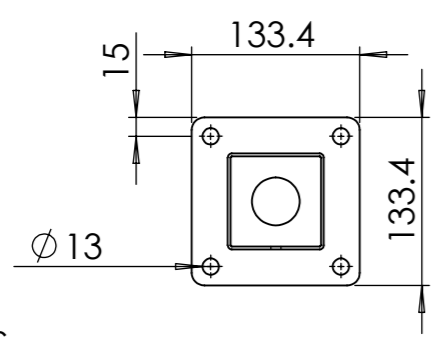
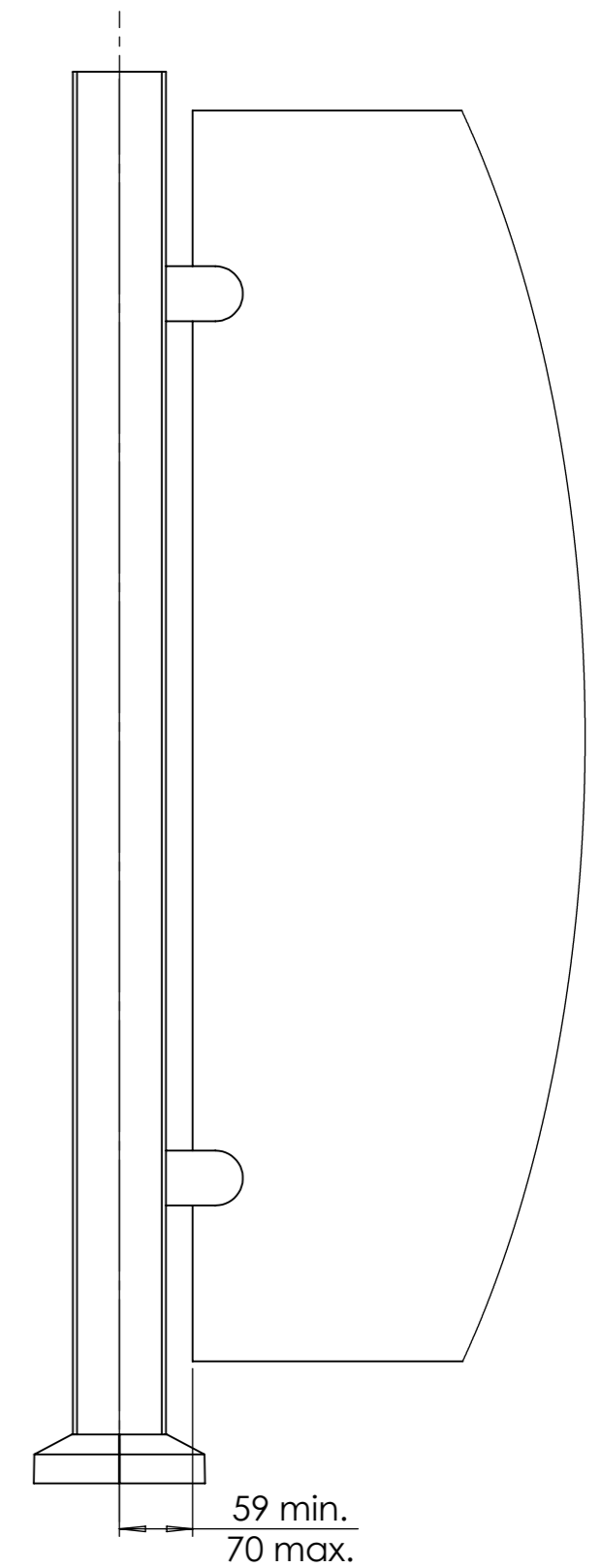
64PB76275B
MIDDLE POST
4 x Ø8 PILOT HOLES



64PB76375B
CORNER POST
4 x Ø8 PILOT HOLES



64PB76175B
END POST
2 x Ø8 PILOT HOLES



POSTS INCLUDE
COVER PLATE

IMPORTANT NOTES

- 1) FINISH - PRE GALVANISED + ZINC PHOSPHATE + E COAT + UV POWDER COATING
- 2) COLOUR & TEXTURE - BLACK SAND
- 3) POSTS TO BE USED WITH GLASS CLAMPS 1805401FBS
- 4) OVERALL HEIGHT 1100MM WHEN USED WITH STANDARD CONTEMPLATION GLASS PANELS

		NOTES:													
		Customer Drawing Information													
<small>UNLESS OTHERWISE SPECIFIED ALL DIMENSIONS ARE IN MILLIMETERS</small>		DESCRIPTION:													
		Pre Drilled Posts 76.2 x 76.2 - MIDDLE POST / CORNER POST / END POST													
		PART NO:													
		64PB76175B - 64PB76275B - 64PB76375B													
<table border="1"> <thead> <tr> <th></th> <th>NAME</th> <th>DATE</th> <th>REVISION</th> </tr> </thead> <tbody> <tr> <td>DRAWN</td> <td>VV</td> <td>11/03/2021</td> <td></td> </tr> <tr> <td>CHECKED</td> <td></td> <td></td> <td></td> </tr> </tbody> </table>			NAME	DATE	REVISION	DRAWN	VV	11/03/2021		CHECKED				DWG NO:	
			NAME	DATE	REVISION										
DRAWN	VV	11/03/2021													
CHECKED															
		N/A													
		SCALE:1:6	DO NOT SCALE DRAWING												
		SHEET 1 OF 1													