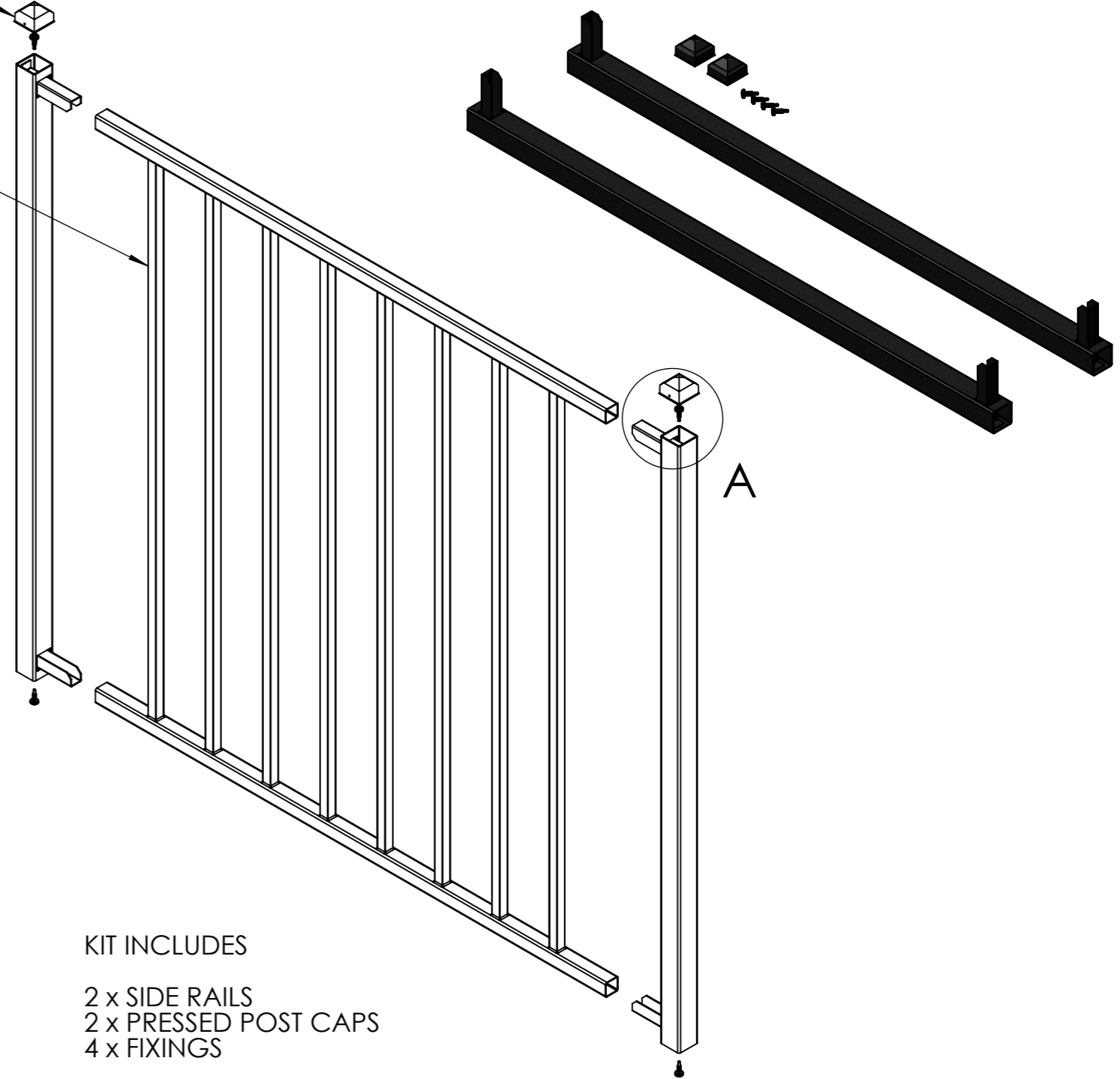


PRESSED DOME CAP
 RAILING PANEL - 64FR10B
 CUT TO FIT (NOT INCLUDED)

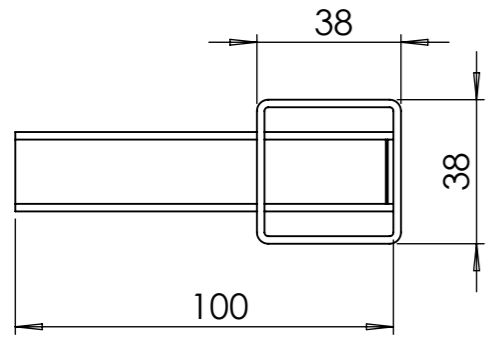


KIT INCLUDES

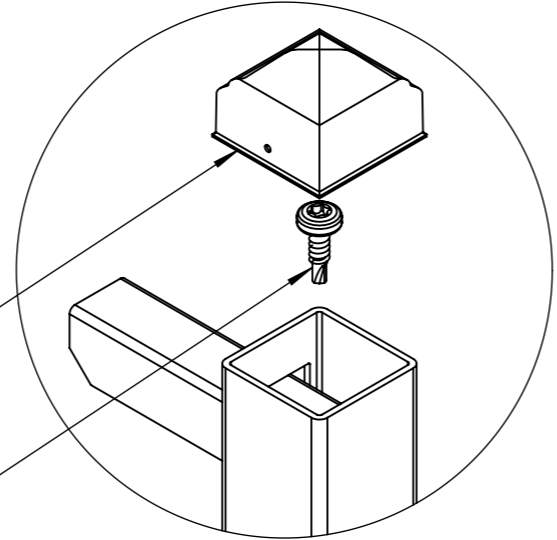
- 2 x SIDE RAILS
- 2 x PRESSED POST CAPS
- 4 x FIXINGS

IMPORTANT NOTES

- 1) FINISH - PRE GALVANISED + ZINC PHOSPHATE + E COAT + UV POWDER COATING
- 2) ZINC-RICH EPOXY COATING (only for welding points)
- 2) COLOUR & TEXTURE - BLACK SAND
- 3) REMOVE SHARP EDGES & BURRS



PRESSED DOME CAP
 SCREW HIDDEN INSIDE



DETAIL A
 SCALE 1 : 2



				MATERIAL: Mild Steel	
				FINISH: Black Sand	
<small>UNLESS OTHERWISE SPECIFIED ALL DIMENSIONS ARE IN MILLIMETERS</small>				GRIT SIZE: N/A	
DRAWN	GC	DATE	06/07/2017	REVISION	A
CHECKED					

NOTES: Customer Drawing Information		
DESCRIPTION: Fortitude Railing Gate Kit H 1084mm Black Sand With Fixings		
PART NO: 64GK5011B		
DWG NO: N/A		A3
SCALE:1:8	DO NOT SCALE DRAWING	SHEET 1 OF 1