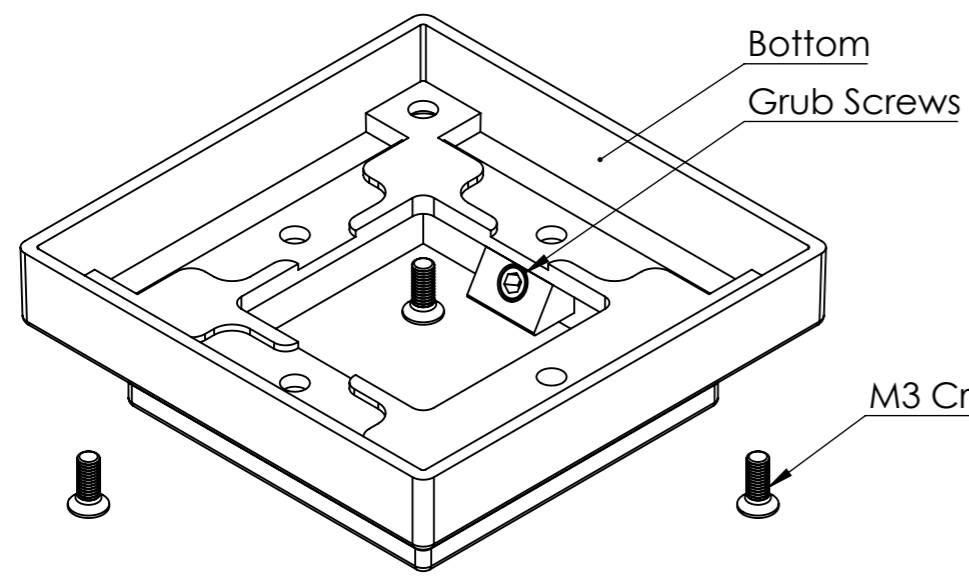
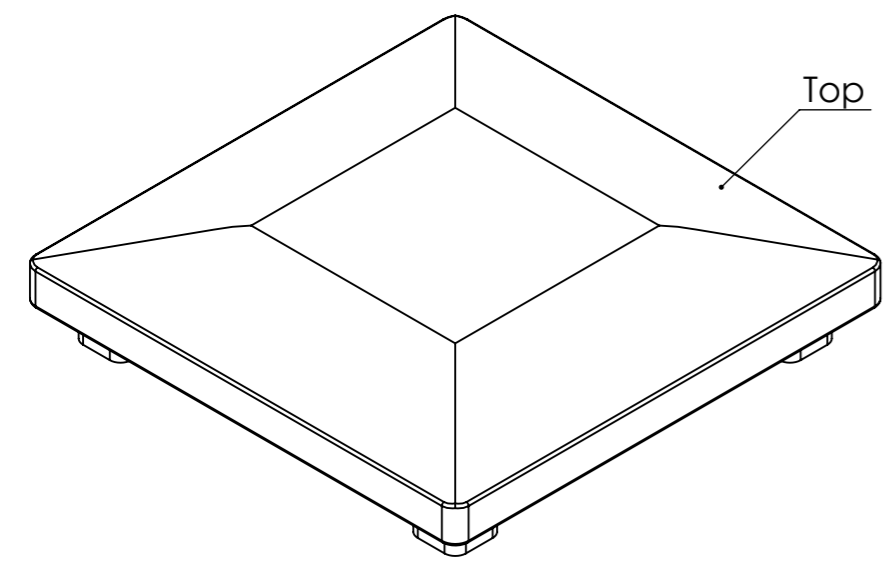
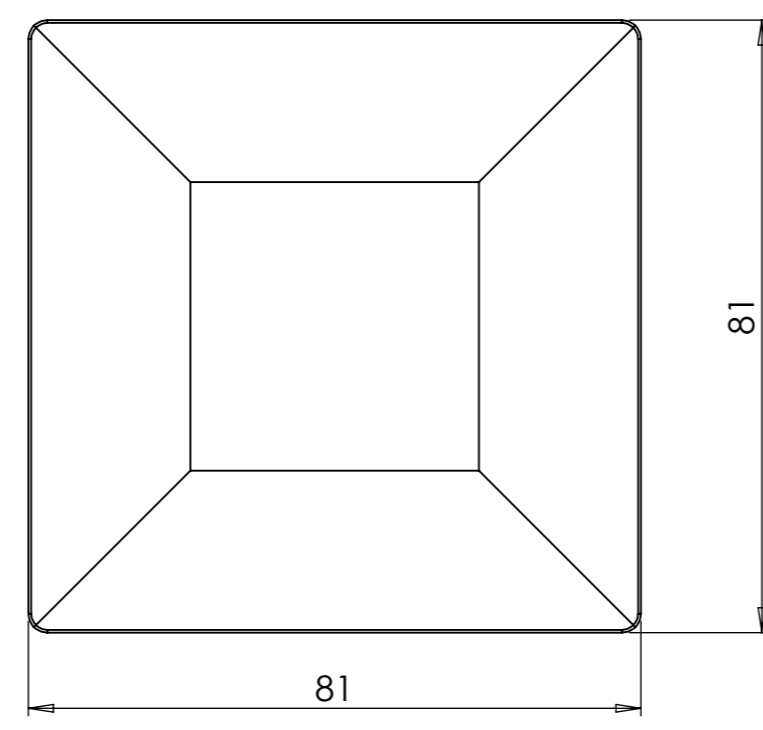
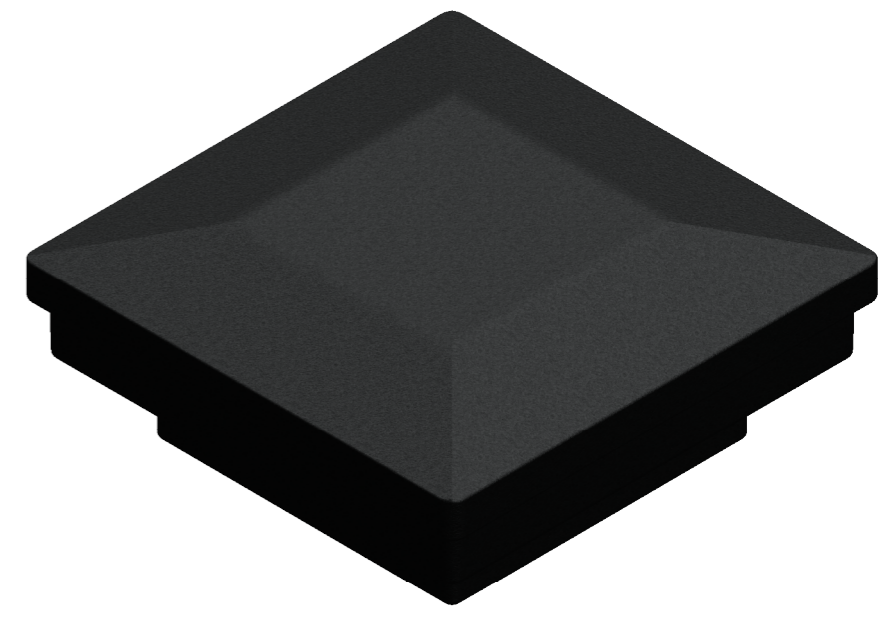
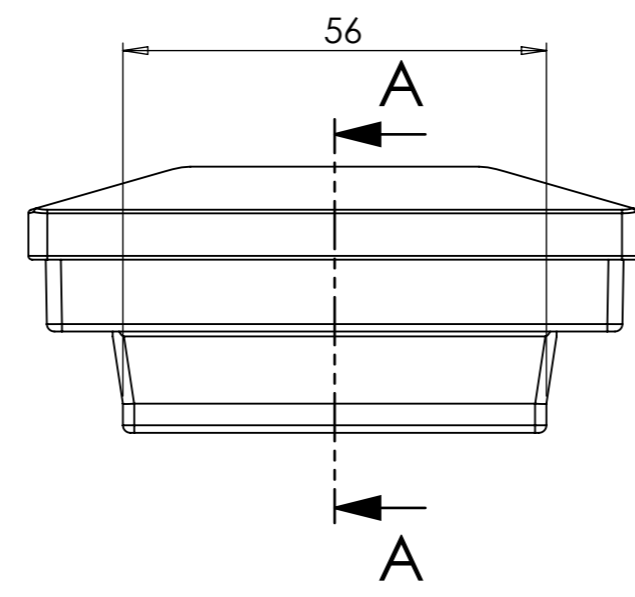


SECTION A-A



NOTES

- 1) FINISH - PRE GALVANISED + ZINC PHOSPHATE + E COAT + UV POWDER COATING
- 2) COLOUR & TEXTURE - BLACK SAND
- 3) PRODUCT FITS 50 X 50 FORTITUDE POSTS

				NOTES:													
				Customer Drawing Information													
<small>UNLESS OTHERWISE SPECIFIED ALL DIMENSIONS ARE IN MILLIMETERS</small>				DESCRIPTION:													
				50mm Cap - Pyramid - Black Sand													
				PART NO:													
				64CP50B													
<table border="1"> <thead> <tr> <th></th> <th>NAME</th> <th>DATE</th> <th>REVISION</th> </tr> </thead> <tbody> <tr> <td>DRAWN</td> <td>GC</td> <td>06/11/2017</td> <td>A</td> </tr> <tr> <td>CHECKED</td> <td></td> <td></td> <td></td> </tr> </tbody> </table>					NAME	DATE	REVISION	DRAWN	GC	06/11/2017	A	CHECKED				DWG NO:	
					NAME	DATE	REVISION										
DRAWN	GC	06/11/2017	A														
CHECKED																	
<table border="1"> <tr> <td colspan="2">SCALE: 1:1</td> <td colspan="2">DO NOT SCALE DRAWING</td> <td colspan="2">SHEET 1 OF 1</td> </tr> </table>				SCALE: 1:1		DO NOT SCALE DRAWING		SHEET 1 OF 1		N/A							
				SCALE: 1:1		DO NOT SCALE DRAWING		SHEET 1 OF 1									
MATERIAL:		A3															
Mild Steel																	
FINISH:																	
Black Sand																	
GRIT SIZE:																	
N/A																	