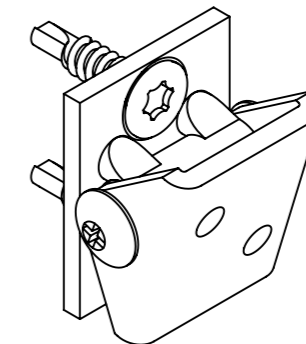
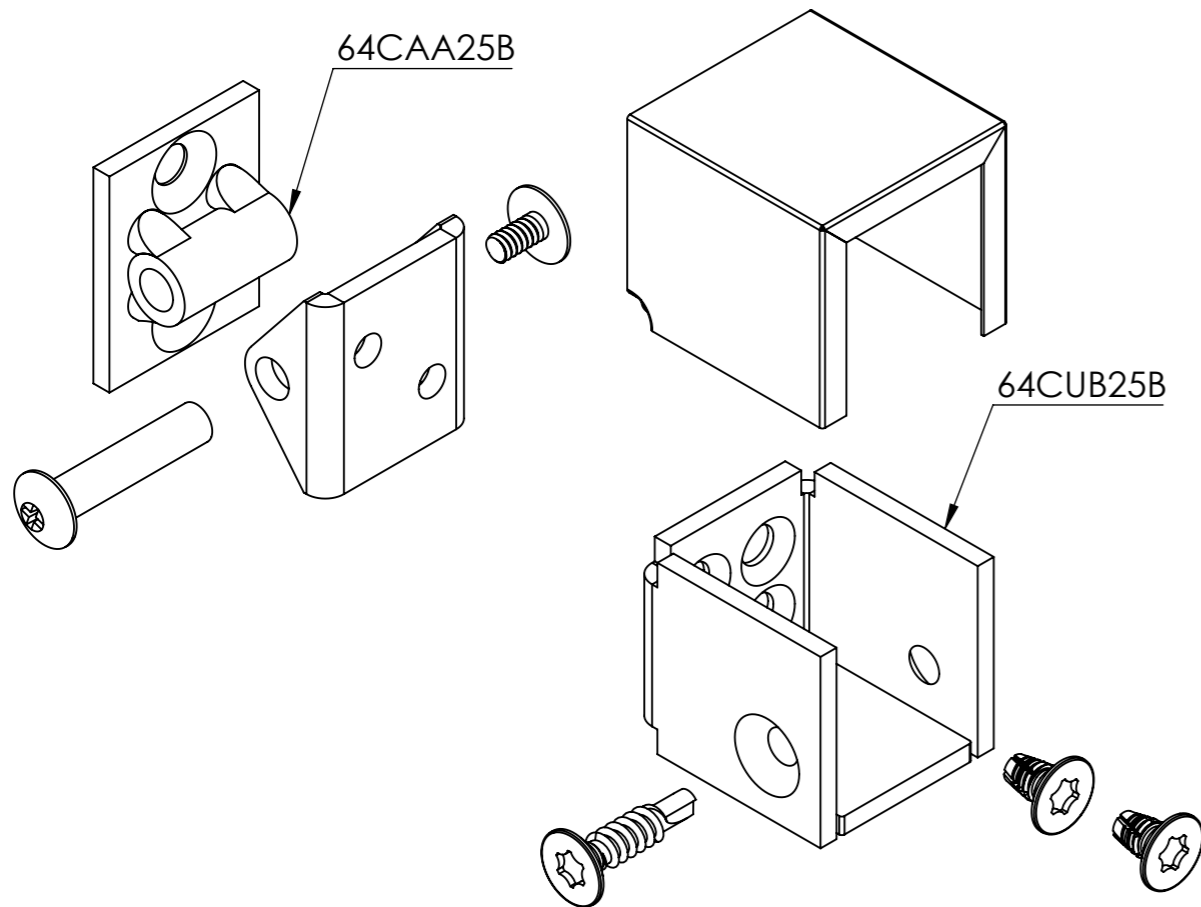


For Use With Choice Universal Bracket 64CUB25B & Adjustable Raking Panel 64ARP10B



Max Angle 38.75 Degree

NOTES

- 1) FINISH - PRE GALVANISED + ZINC PHOSPHATE + E COAT + UV POWDER COATING
- 2) COLOUR & TEXTURE - BLACK SAND
- 3) PRODUCTS FITS 64CAA25B

Attach 64CAA25B To 64CUB25B To Use With Raked Panel 64ARP10B



UNLESS OTHERWISE SPECIFIED ALL DIMENSIONS ARE IN MILLIMETERS			
	NAME	DATE	REVISION
DRAWN	GC	03/08/2017	A
CHECKED			

MATERIAL:	Mild Steel
FINISH:	Black Sand
GRIT SIZE:	N/A

NOTES: Customer Drawing Information		
DESCRIPTION: 25mm - Choice Angle Adapter - Black Sand / Box of 4 (Includes Fixings)		
PART NO: 64CAA25B		A3
DWG NO: N/A		
SCALE:1:1	DO NOT SCALE DRAWING	SHEET 1 OF 1